

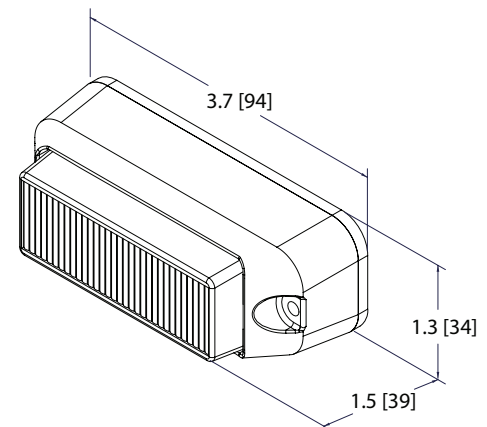


DIRECTIONAL LEDS



3730 SERIES SAE Class II Surface Mount

This compact and versatile surface-mount LED directional light is ideal for applications requiring high intensity output, low current draw and maintenance-free operation. Premium LED heads feature a clear acrylic lens optic with LEDs that illuminate in the color of your choice. Warning capability can be customized by selecting from 14 flash patterns (via a trigger wire) and synchronizing multiple heads simultaneously or alternately. The coated aluminum base and urethane-sealed electronics protect the unit against the environment, making this one of the most rugged LED products available. And, it's covered by a full 5-year warranty.



Models

PART NO.	VOLTAGE	AMPS	MOUNT
3730X	12-24	0.3	Surface

Replace X in part number with desired LED color: A = amber, B = blue, C = clear, R = red

Features and Benefits

- Rugged die-cast coated aluminum housing with urethane-encapsulated electronics
- 14 flash patterns, including three integral alternating flash modes
- Discrete units are colorless when not illuminated
- Multiple units can be synchronized
- Temperature Range: -22°F to +122°F (-30°C to +50°C)

Flash Patterns (14)

- Steady Burn
- Single
- Fast Single
- Double
- Triple
- Quad
- Quint Hold
- Fast Double
- Constant Pulse8
- Pulse8
- Double Alternate
- Quad Alternate
- Quint Hold Alternate
- Random

Accessories



T 800-635-5900 | orders@eccogroup.com

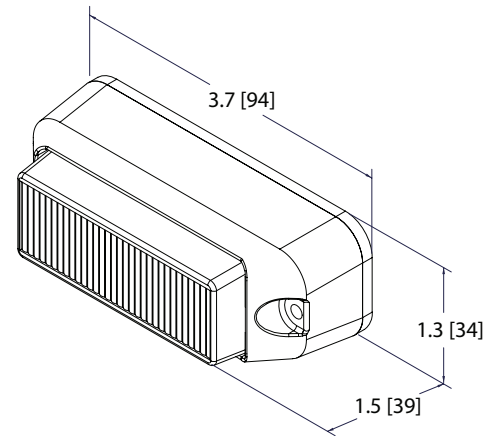


DIRECTIONAL LEDS



3735 SERIES Surface Mount

This compact and versatile surface-mount LED directional light is ideal for applications requiring high intensity output, low-current draw and maintenance-free operation. These auxiliary LED heads feature a clear acrylic lens optic with LEDs that illuminate in the color of your choice. Warning capability can be customized by selecting from 11 different flash patterns (via trigger wire).



Models

PART NO.	VOLTAGE	AMPS	MOUNT
3735X	12	0.3	Surface

Replace X in part number with desired color: A=amber, B=blue, C=clear, G=green, R=red

Features and Benefits

- ABS plastic housing with encapsulated electronics
- 11 flash patterns
- Discrete units are colorless when not illuminated
- LEDs offer a long, maintenance-free service life
- Temperature Range: -22°F to +122°F (-30°C to +50°C)

Flash Patterns (11)

- Steady Burn
- Single
- Fast Single
- Double
- Fast Double
- Triple
- Quad
- Quint Hold
- Pulse8
- Constant Pulse8
- Cycle

Accessories

UNIVERSAL
A3730BKT



TRUNK
A3730TNK



DECK
A3730DCK



WINDOW
A3730WIN



LICENSE
A3730LIC

